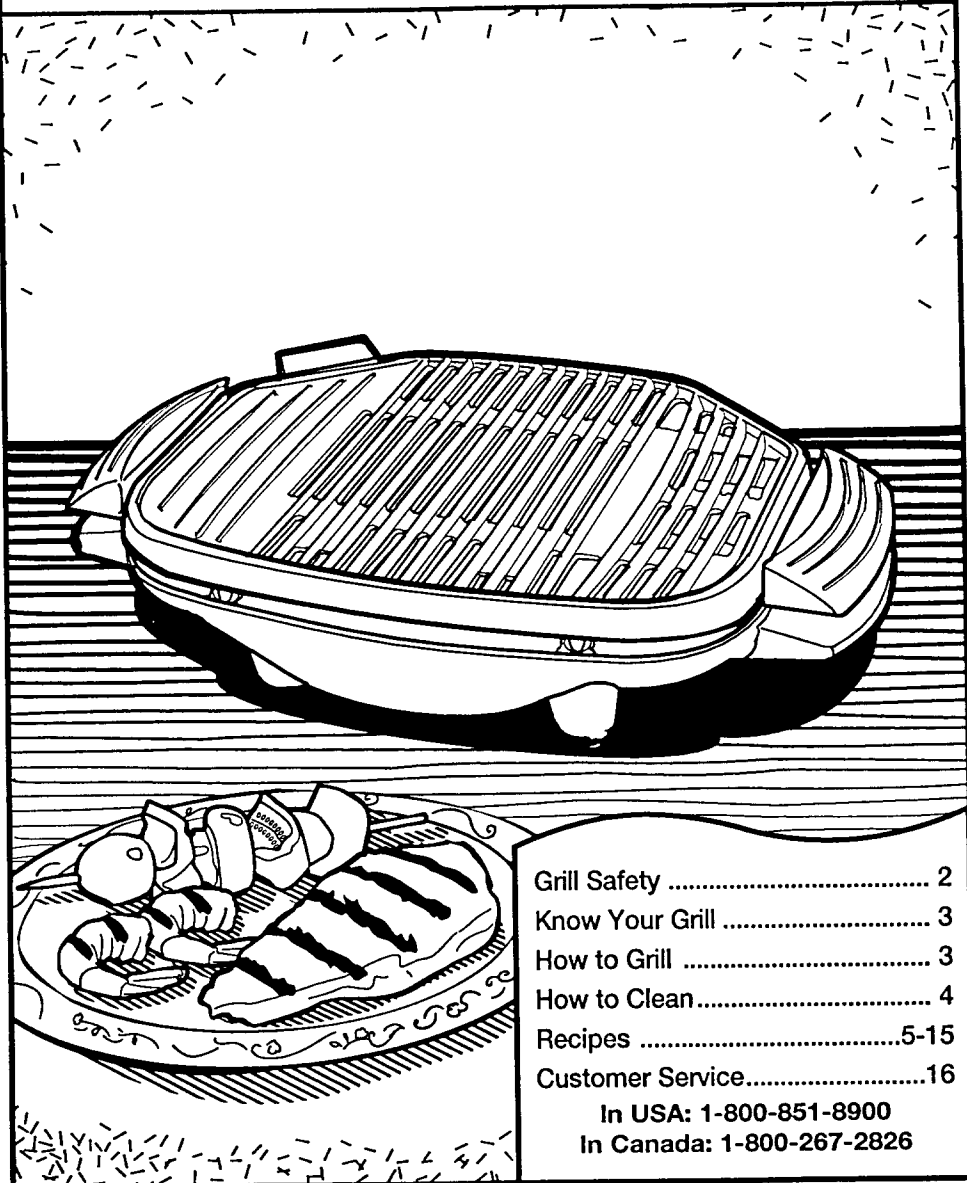


Hamilton Beach.

HealthSmart™ Grill



Grill Safety	2
Know Your Grill	3
How to Grill	3
How to Clean	4
Recipes	5-15
Customer Service.....	16

In USA: 1-800-851-8900
In Canada: 1-800-267-2826

5 1/2" x 8 1/2"
 32 PAGES
 ENGLISH
 FRENCH
 BLACK INK
 NO BLEEDS
 FLIP
 SADDLE
 STITCH

840055000

Grill Safety

IMPORTANT SAFEGUARDS

When using electrical appliances, basic safety precautions should always be followed, including the following:

1. Read all instructions. Keep these instructions for future use.
2. Do not touch hot surfaces. Use handles or knobs.
3. To protect against electrical shock, do not immerse cord assembly or plug in water or other liquid.
4. Close supervision is necessary when any appliance is used by or near children.
5. Unplug from outlet when not in use and before cleaning. Allow to cool before putting on or taking off parts and before cleaning the appliance and before moving the appliance.
6. Always attach plug to appliance first, then plug cord into the wall outlet. To disconnect, turn any control to off and remove plug from wall outlet, then remove plug from appliance.
7. Do not leave the appliance unattended when in use.
8. Do not operate any appliance with a damaged cord or plug, or after the appliance malfunctions, or is dropped or damaged in any manner. Call our toll-free customer service number for information on examination, electrical repair, mechanical repair, or adjustment.
9. Do not use outdoors.
10. Do not let cord hang over edge of table or counter, or touch hot surfaces, including the stove.
11. Do not place on or near a hot gas or electric burner, or in a heated oven.
12. Always use the appliance on a dry level surface.
13. Do not use appliance for other than intended use.
14. Use extreme caution when moving an appliance containing hot oil or other hot liquids.
15. Always unplug grill and then remove cord before attempting to move the grill.
16. The use of accessory attachments not recommended by Hamilton Beach/Proctor-Silex, Inc. may cause injuries.
17. Do not use without base in place. Clean after each use.
18. Fuel, such as charcoal briquettes, is not to be used with appliance.
19. Use only on properly grounded outlet.
20. When in operation, a fire may occur if the grill is touching or near flammable material, including curtains, draperies, walls, backsplashes, cabinets and the like.

SAVE THESE INSTRUCTIONS!

Consumer Safety Information

This appliance is intended for household use only.

This appliance is equipped with a grounded-type 3-wire cord (3-prong plug). This plug will only fit into an electrical outlet made for a 3-prong plug. This is a safety feature. If the plug should fail to fit, contact an electrician to replace the obsolete outlet. Do not attempt to defeat the safety purpose of the grounding pin, part of the 3-prong plug.

This appliance has a short cord to reduce hazards of becoming entangled or tripping over a longer cord. A grounded-type 3 wire extension cord may be used if the electrical rating of the extension cord is equal to or greater than the rating of the electric grill. Use only an extension cord rated 15 amperes or greater. Care must be taken to arrange the extension cord so that it will not drape over countertop or tabletop where it can be pulled on by children or tripped over.

Do not leave this appliance unattended while in use.

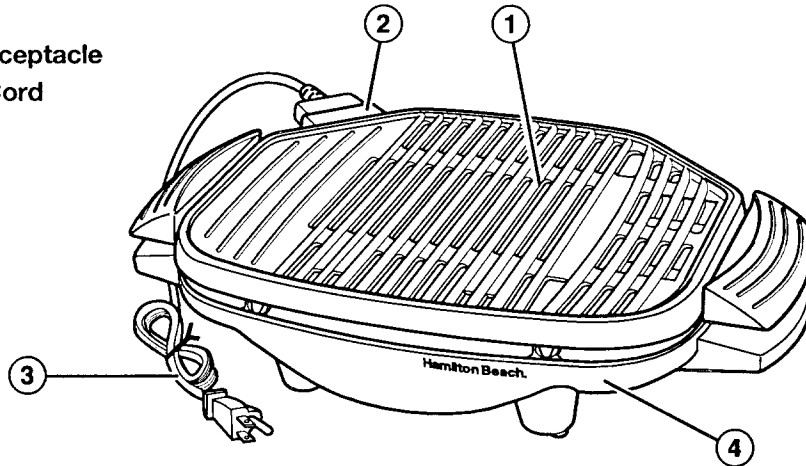
WARNING: To reduce risk of fire do not allow flammable materials such as curtains, draperies, walls, cabinets, backsplashes

and the like to touch any part of the grill or grilling surface when the grill is in operation. Place grill at least 6 inches away from walls, appliances or any object which could be damaged by heat.

Know Your Grill

Parts and Features

1. Grill
2. Cord Receptacle
3. Power Cord
4. Base



Before first use, wash grill and base in hot, soapy water. Rinse and dry thoroughly.

How to Grill

1. Set base on countertop. Match up flat and angled sides of grill and base. Feet on grill fit into holes in base.
2. Plug power cord into cord receptacle, then plug into outlet. The indicator light on the power cord will glow.
3. Preheat 10 minutes before grilling.
4. When finished grilling, remove plug from outlet, then from cord receptacle.
5. Let grill cool completely. Carefully dispose of any grease. Clean grill and base.

How to Clean

1. Let grill cool. Carefully dispose of any grease.
2. Wash grill and base in hot, soapy water. Use a nylon or plastic scouring pad and a non-abrasive liquid cleanser. Do not use metal scouring pads.
3. Rinse and let dry.
4. The grill and base can also be washed in a dishwasher after cooling and disposing of any grease.
5. The power cord should not be immersed in water or placed in the dishwasher. To clean, wipe with a damp cloth.

NOTE: Do not leave the grill on to “burn off” any food or drippings remaining on the grill surface after cooking. In addition to causing unnecessary smoke this can reduce the life of the nonstick coating and may present a fire hazard.

Great Grilling Tips

- Please remember that your grill is coated with a nonstick surface and that plastic utensils should always be used.
- If grilling vegetables, fish, or lean meat, spray the grilling surface with a cooking spray. If grilling meat with any amount of fat, or if the food has been marinated, there is no need to treat the grill.
- For best results, preheat the grill 10 minutes before grilling.
- Skewers are available in most large supermarkets. If using the disposable, wooden type skewers, soak the skewers in water about 10 minutes before threading on food. This prevents the skewer from scorching and makes a more attractive presentation.
- If using a marinade with oil, place grill near an exhaust hood. Oil or fat will produce some smoke.

Cooking Chart

Food	Approximate Time (Minutes)	Doneness Test
Bacon	4 to 8	Desired doneness
Steaks, beef ½-inch thick	8 to 15	Until desired doneness
Pork chops, boneless	15 to 20	Until no longer pink
Chicken pieces, bone-in	25 to 30	Pierce with knife; juice runs clear
Hamburgers ½-inch thick	8 to 10	No pink meat
Sausage links or patties	12 to 15 minutes	No pink meat

Food	Approximate Time (Minutes)	Doneness Test
Hot dogs	8 to 10 minutes	Hot through
Fish fillets	10 minutes per 1-inch thickness	Opaque and flakes with fork

Recipes



Indicates preparation and grilling times.

Grilling Guidelines

- **Grilling Times:** Recipe cooking times are estimates. Cooking time will vary based on the temperature of the grill, the surrounding air, and the food itself. Watch food carefully while grilling and adjust the cooking time as necessary.
- **Marinating Tips:** Never marinate foods in metal containers for extended lengths of time (2-plus hours). The acids in foods can react with metal, causing an unpleasant taste. Instead, use glass, ceramic, or plastic bag containers for marinating.
- **Meat Safety Tip:** To reduce the risk of spoiling, store meat in the refrigerator until you're ready to cook. Never thaw or marinate meat at room temperature, especially in warm climates.
- **Never use leftover marinade as a finishing sauce on cooked foods.** The leftover marinade must first be boiled for one to two minutes to kill any bacteria from the raw food that was marinated.
- Although some cookbooks may say to bring your food to room temperature before cooking, with few exceptions, we don't recommend this tip for grilled foods. If the temperature is in the 80s or 90s, foods can spoil quickly.
- **Nonstick Grilling Tip:** Without the use of oil, certain foods will stick slightly to nonstick surfaces. This is easily prevented. Before turning on your grill, brush or spray the grids lightly with oil or nonstick cooking spray. (Never add oil or spray to a heated grill—this is dangerous.)
- Always read all safety information.

The following recipes are from *Grilling For Dummies*® by Marie Rama and John Mariani. Copyright© 1998 IDG Books Worldwide, Inc. All rights reserved. Reproduced here by permission of the publisher. ...For Dummies is a registered trademark of IDG Books Worldwide, Inc.

Basic Burger and "Vary It" Ideas
 Western Beef Kabobs with Red Peppers and Onions
 Grilled Steak 101
 Texas Beef Barbecue
 Jerk-Seasoned Chicken Breasts
 Spicy Chili Chicken Wings
 Grilled Potato Planks
 Grilled Tomatoes with Cumin Butter
 Tomato Brushetta

Basic Burger



Preparation time: 15 minutes

Grilling time: 22-28 minutes

Yield: 4 servings

1½ pounds ground chuck
¼ teaspoon salt, or to taste
¼ teaspoon pepper
4 hamburger buns

1. Combine the ground chuck, salt, and pepper in a medium mixing bowl, mixing lightly but thoroughly, using your hands. Shape the mixture into four patties, each ¾ inch thick in the center and at the edges. (Even thickness ensures even cooking and prevents the edges from drying out before the center is cooked.)
2. Place the patties on grill. Grill for 11 to 14 minutes per side, turning once. (According to the U.S. Department of Agriculture, all ground meat should be cooked to at least medium doneness - 160 degrees - or until the center of the patty is no longer pink.) Make a small incision in the center of each patty to determine doneness.
3. Toast the buns by placing them, split side down, on the edges of the grill grid for about 1 minute or until lightly browned.
4. Remove the burgers from the grill and serve on toasted hamburger buns.

Variation Section:

Italian Burger: Add the following ingredients to the ground meat mixture: 1 egg yolk, ¼ cup grated onion, 1 large clove garlic minced, 2 tablespoons chopped fresh basil or 2 teaspoons dried crushed basil, ½ teaspoon dried oregano, and salt and pepper to taste. Place grated Parmesan cheese on top of each burger (if desired) about 2 minutes before the burger is done and grill until the cheese melts.

Mexican Burger: Add the following ingredients to the ground meat mixture: ¼ cup finely chopped onion, ½ to 1 teaspoon seeded and chopped jalapeno pepper, ¾ teaspoon ground cumin, and salt and pepper to taste. Serve on toasted buns or in warmed tortillas with a prepared tomato salsa or taco sauce, and slices of ripe avocado.

Asian Spiced Burger: Add the following ingredients to the ground meat mixture: ¼ cup finely chopped scallions, 3 tablespoons teriyaki sauce, 1 large clove garlic, minced, and salt and pepper to taste.

Western Beef Kebabs with Peppers and Onions



Preparation time: 25 minutes

Marinating time: 6 hours or overnight

Grilling time: 15-20 minutes

Yield: 4 servings

1½ to 2 pounds sirloin, or other tender beef such as top loin or round tip steak
 2 medium red peppers
 1 medium onion
 ½ cup apple juice, divided
 6 tablespoons lime juice (about 3 large limes)
 1½ teaspoons grated lime peel
 6 tablespoons vegetable oil
 3 cloves garlic, peeled and coarsely chopped
 1 to 2 large jalapeno peppers, seeded and chopped
 ¼ teaspoon cumin
 1½ teaspoons chili powder
 ½ teaspoon paprika
 Salt and pepper to taste
 2 tablespoons butter

1. Working on a cutting board, trim all visible fat from the beef; cut the meat into cubes of about 1½ inches. Place the cubes in a large, resealable plastic bag or other non-reactive container.
2. Core and seed the red peppers and slice them into strips about 1½ inches wide; slice each strip crosswise into 1- to 2-inch pieces. Cut the onion in half lengthwise and remove the skin. Cut each half into thirds, break them apart into slices. Place the peppers and onions in the bag or container with the beef cubes.
3. Combine 6 tablespoons of the apple juice with the lime juice, grated lime peel, oil, garlic, jalapeno peppers, cumin, chili powder, and paprika, in a blender container, whirl the mixture for a few seconds into a coarse puree. Pour the resulting marinade over the beef and vegetables, seal the bag or cover the container, and refrigerate for at least 6 hours or overnight, turning occasionally.
4. Remove the beef from the marinade. Reserve any remaining marinade and place in a small saucepan. Thread 3 to 4 beef cubes, alternating with pieces of pepper and onion, on skewers. (Soak wooden skewers in water for at least 30 minutes to prevent them from burning.) Sprinkle kebabs with salt and pepper.
5. Place skewers on grill. Grill the kebabs for about 15 to 20 minutes for medium, turning every 5 to 6 minutes.
6. As the kebabs grill, bring the marinade in the saucepan to a boil over high heat on top of the stove, reduce heat and simmer for 1 minute. Whisk in 2 tablespoons butter and 2 tablespoons of the remaining apple juice. Spoon sauce over the grilled kebabs just before serving.

Grilled Steak 101



Preparation time: 5 minutes
Grilling time: 35-45 minutes
Yield: 4 servings

2 tablespoons olive oil
2 boneless sirloin beef steaks, cut 1-inch thick (about 2 pounds total)
1 clove garlic, crushed
Salt and pepper to taste

1. In a small bowl, combine the olive oil and garlic. Generously rub or brush the flavored oil on both sides of the steaks. Sprinkle the steaks lightly with salt and pepper.
2. Place the steaks on the grill. Grill 35 to 45 minutes for medium doneness, turning every 15 minutes.
3. Remove the steaks from the grill, cover loosely with foil and let the steaks rest for a few minutes before thinly slicing across the grain. Season with salt and additional pepper (if desired) before serving.

Texas Beef Barbecue



Preparation time: 10 minutes
Marinating time: 3 hours or overnight
Grilling time: 35-45 minutes for medium-rare
Yield: 4 servings

1 cup bottled chili sauce
1 teaspoon ground cumin
½ cup beer
½ teaspoon dried red pepper flakes
⅓ cup vegetable oil
¼ cup finely chopped green onion (white and green parts)
1 boneless beef top round steak, cut 1-inch thick (about 1½ to 2 pounds)
3 tablespoons chili powder
salt to taste (optional)

1. In a medium bowl, make the marinade by combining all the ingredients except the steak.
2. Place the steak in a glass baking dish or a large, resealable plastic bag. Pour the marinade over the steak, turning to coat. Cover the dish or seal the bag, pressing out as much air as possible. Refrigerate 3 hours or overnight.
3. Remove the steak from the marinade, shaking off any excess. Discard the marinade, if desired, sprinkle the steak with salt. Place the steak on the grill and grill 35 to 45 minutes for medium doneness, turning every 15 minutes.
4. Transfer the steak to a cutting board and let stand for 5 minutes, loosely covered with foil. Thinly slice across the grain.

Jerk-Seasoned Chicken Breast



Preparation time: 15 minutes

Marinating time: 6 hours or overnight

Grilling time: 30-35 minutes

Yield: 4 to 6 servings

8 boneless, skinless chicken breast halves (about 2 or 3 pounds)
¼ cup vegetable oil
¼ cup orange juice
3 scallions, finely chopped (green and white parts)
4 medium cloves garlic, peeled and finely chopped
2 tablespoons lime juice
2 tablespoons soy sauce
1 small jalapeno pepper, seeded and finely chopped
1 teaspoon brown sugar, packed
½ teaspoon kosher salt, or to taste
½ teaspoon ground allspice
½ teaspoon dried leaf thyme
½ teaspoon cinnamon
¼ teaspoon cayenne pepper
¼ teaspoon nutmeg

1. Trim the breasts of any loose fat; rinse them under cold running water and pat dry with paper towels.
2. In a medium bowl, combine the remaining ingredients, beating with a fork or whisk to incorporate the spices into the oil and orange juice.
3. Place the breasts in a large, resealable plastic bag or shallow dish; pour the marinade over the breasts. Seal the bag, pressing out any air, or cover the dish; refrigerate 6 hours or overnight, turning occasionally to coat the breasts in the marinade.
4. Remove the chicken breasts from the marinade; discard the marinade. Place the chicken breasts on the grill. Grill 30 to 35 minutes or until done, turning every 10 minutes. To test for doneness, cut into the breasts; the meat should be white and moist, with no sign of pink.

Spicy Chili Chicken Wings



Preparation time: 20 minutes

Marinating time: 2 to 4 hours

Grilling time: 25-30 minutes

Yield: 4 main dish servings or 8 to 10 appetizer servings

- 3 to 3½ pounds chicken wings (about 15 to 18 wings)
- 3 tablespoons olive oil
- 3 tablespoons fresh lime juice
- 4 large cloves garlic, peeled and minced
- 2 teaspoons ground cumin
- 2 teaspoons ground coriander
- 2 teaspoons paprika
- 1 teaspoon peeled and grated ginger
- 1 teaspoon salt, or to taste
- ½ teaspoon hot chili powder or cayenne pepper
- ½ teaspoon cinnamon

1. Rinse the chicken wings under cold running water and pat dry with paper towels. Cut off the wing tips at the joints and discard the tips. (Or wrap and freeze tips to use later to add flavor to canned or homemade soups and stocks.)
2. Combine all the remaining ingredients in a large, resealable plastic bag or mixing bowl, blending them well.
3. Add the chicken wings; toss well to coat the wings in the oil-spice mixture. Seal the bag, pressing out any air, or cover the bowl; refrigerate for 2 to 4 hours.
4. Place the wings on the grill. Grill for 25 to 30 minutes or until done, turning with tongs every 10 minutes to prevent burning and to ensure even cooking. To test for doneness, cut into the thickest part of the wing, the meat should be white, with no trace of pink and the juices should run clear.

Grilled Potato Planks



Preparation time: 15 minutes
 Marinating time: 30 minutes to 1 hour
 Grilling time: 15 minutes
 Yield: 4 servings

4 medium potatoes (about 1½ pounds total), scrubbed
 6 tablespoons extra-virgin olive oil
 1½ tablespoons white wine vinegar
 2 cloves garlic, peeled and finely minced
 1 teaspoon dried marjoram, oregano, or dill
 ½ teaspoon Tabasco sauce, or to taste
 ½ teaspoon kosher salt, or table salt to taste
 Pepper to taste

1. Cut the potatoes lengthwise into ½-inch-thick slices. Place the slices in a medium saucepan with enough lightly salted water to cover. Cover the pan and bring to a boil. Boil for 5 minutes or until nearly tender when pierced with the blade of a thin, sharp knife; drain thoroughly. Place the potatoes in a large, shallow baking dish.
2. Make the marinade by combining the remaining ingredients; pour the marinade over the warm potato slices, turning to coat. Cover and let stand for 30 minutes to 1 hour.
3. Before grilling, brush both sides of the potatoes with the marinade, being sure to include bits of garlic and herb. Place the potatoes on the grill, grill until lightly browned, for 6 to 8 minutes. Turn and grill until lightly browned and crisp on the second side, 6 to 8 minutes more. If desired, season before serving the additional salt and pepper, and Tabasco sauce.

Grilled Tomatoes with Cumin Butter



Preparation time: 10 minutes
 Grilling time: 5-6 minutes
 Yield: 4 servings

2½ tablespoons butter
 1 teaspoon ground cumin
 Salt and pepper to taste
 2 large, firm ripe tomatoes, sliced about ¾-inch thick

1. Melt the butter in a small saucepan; remove from heat and stir in the cumin and salt and pepper.
2. Brush the tomato slices on one side with half of the cumin butter. Place them, brushed side down, on the grill and grill for 2 to 3 minutes or until very lightly browned on one side.
3. Brush the tops of the tomatoes with the remaining cumin butter. Turn and grill for 2 to 3 minutes more or until very lightly browned, but not falling apart.

Tomato Bruschetta



Preparation time: 15 minutes
 Grilling time: 4 minutes
 Yield: 6 to 8 appetizer servings

2 large red ripe tomatoes (about 1¼ pounds), cored, seeded, and diced
 ½ cup coarsely chopped fresh basil
 2 tablespoons peeled and diced red onion, (optional)
 About ¼ cup extra-virgin olive oil, divided
 1 clove garlic, peeled and minced
 1 teaspoon balsamic or red wine vinegar
 Salt and pepper
 12 slices crusty French bread, cut diagonally, about ¾ inch thick
 3 cloves garlic, peeled and halved

1. In a small bowl, combine the tomatoes, basil, red onion (if desired), 2 tablespoons of the olive oil, the minced garlic, vinegar, and salt and pepper. Cover and let stand at room temperature for at least 30 minutes but not longer than 2 hours.
2. Place the bread slices on the grill. Grill for 4 to 5 minutes or until the bread is lightly toasted and golden on both sides, turning once.
3. Remove and immediately rub the edges and one side of each slice with a garlic clove half. (Use a half clove for every 2 slices.) Drizzle about ½ teaspoon of olive oil onto the garlic-rubbed side of each slice.
4. Stir the tomato mixture with a large spoon to thoroughly moisten; top each bread slice with about 1½ tablespoons of the tomato mixture. Place on a platter and serve immediately.

Plum Fancy Pork Swords

Recipe Courtesy of the National Pork Producers Council



Preparation time: 10 minutes
 Marinating time: 1 hour
 Grilling time: 10 minutes

4 bamboo skewers (soak in water before using)
 ¾ pound ham, fully cooked, cut into 1-inch cubes
 ¼ cup plum preserves
 1 tablespoon Dijon-style mustard
 1 teaspoon lemon juice, fresh
 ¼ teaspoon cinnamon

Nutritional Information Per Serving	
Serving Size: 1	
Nutrient	Per Serving
Calories	183
Total Fat	5g
Cholesterol	44mg
Sodium	1340mg
Protein	19g

Place ham in shallow bowl. Combine remaining ingredients in small pan. Heat until dissolved. Pour sauce over ham. Marinate for 1 hour. Place cubes on bamboo skewers that have been soaked in water. Grill for 10 minutes. Turn skewers frequently. Baste with sauce.

Servings: 4

12

Caribbean Pork Kabobs

Recipe Courtesy of the National Pork Producers Council



Preparation Time: 10 minutes
 Cooking Time: 18-20 minutes
 Servings: 4

- 1 pound pork tenderloin, cut into 1-inch cubes
- ½ cup orange juice
- ¼ cup lime juice
- 2 tablespoons brown sugar
- ½ teaspoon thyme
- ¼ teaspoon ground nutmeg
- ¼ teaspoon ground cloves
- ⅓ teaspoon ground cayenne pepper

Nutritional Information Per Serving	
Serving Size: 3 oz.	
Nutrient	Per Serving
Calories	146
Total Fat	4g
Cholesterol	67mg
Sodium	60mg
Protein	23g

Combine all ingredients in a self-sealing plastic bag; seal bag and refrigerate 2 to 24 hours. Remove cubes from marinade; discarding leftover marinade. Thread cubes evenly onto four skewers (if using wooden skewers, soak them in water for an hour before using to prevent burning). Grill 18 to 20 minutes, turning often, until nicely browned. Serve with hot rice and kabobs of grilled fruit and pepper chunks, if desired.

Heartland Barbecue Pork Chops

Recipe Courtesy of the National Pork Producers Council



Preparation Time: 5 minutes
 Cooking Time: 30 minutes
 Servings: 4

- 4 pork chops, bone-in or boneless, about 1¼ inch thick
- ½ cup bottled barbecue sauce
- ⅓ cup honey
- 1 tablespoon Worcestershire sauce
- 1 teaspoon prepared mustard
- Dash hot pepper sauce

Nutritional Information Per Serving	
Serving Size: 1	
Nutrient	Per Serving
Calories	371
Total Fat	11g
Cholesterol	104mg
Sodium	382mg
Protein	39g

For sauce, mix all ingredients except pork chops together in a small bowl. Place pork chops on the grill. Grill chops for about 10 minutes, until nicely browned on one side; turn and brush liberally with sauce. Grill for 10 minutes more; turn and brush with more sauce. Grill for 5 to 10 minutes more, turning and brushing with sauce. Discard any leftover sauce. Serve chops immediately.

Southwestern Grilled Pork Tenderloin

Recipe Courtesy of the National Pork Producers Council



Marinating time: 2 to 24 hours
 Preparation time: 10 minutes
 Cooking time: 45 minutes
 Servings: 6

Nutritional Information Per Serving	
Serving Size: 3 oz.	
Nutrient	Per Serving
Calories	154
Total Fat	6g
Cholesterol	66mg
Sodium	141mg
Protein	26g

- 2 whole pork tenderloins (about 1½ pounds total)
- 5 teaspoons chili powder
- 1½ teaspoons oregano
- ¾ teaspoon ground cumin
- 2 garlic cloves, crushed
- 1 tablespoon vegetable oil

In a small bowl, mix well all seasonings and vegetable oil. Rub mixture over all surfaces of tenderloins. Cover and refrigerate 2 to 24 hours. Grill, turning occasionally, for 45 minutes, until thermometer inserted reads 155-160°F. Pork is done when there is still a hint of pink in the center. Slice to serve.

Spicy Grilled Shrimp

- ½ cup soy sauce
- 1 tablespoon olive oil
- 1 tablespoon sesame oil
- 5 tablespoons cajun seasoning mix
- 2 tablespoons fresh lemon juice
- 2 tablespoons fresh minced ginger
- 2 teaspoons dry mustard
- 2 teaspoons hot pepper sauce
- 32 large raw shrimp, peeled and deveined, but tails on

Combine all ingredients except shrimp. Mix well then add shrimp. Marinate 1 to 4 hours. Drain marinade and discard. Place shrimp on grill and cook 2 minutes. Turn and cook 2 minutes longer or until done.

Sesame Soy Sea Scallops

1 tablespoon sesame oil
 2 tablespoons white wine
 ¼ cup tamari sauce or soy sauce
 1 teaspoon crushed garlic
 ⅛ teaspoon ground ginger
 Dash garlic salt
 Dash pepper
 1 pound sea scallops

Combine all ingredients and let marinate in refrigerator for 30 minutes to 1 hour. Thread onto skewers. Place on grill and cook for 5 minutes or until done. Turn halfway through cooking time. Makes 4 servings.

Crispy Grilled Sea Trout

¼ cup bread crumbs
 1 tablespoon dried parsley
 1 teaspoon garlic salt
 1 teaspoon tarragon
 1 egg white
 ¾ pound sea trout

Combine bread crumbs, parsley, garlic salt, and tarragon. Set aside. Beat egg white with fork or whisk until frothy. Dip fish into egg white then coat with bread crumb mixture. Place on grill and cook 5 minutes. Turn and cook 5 minutes more or until done. Makes 2 servings.

Salmon with Dill

½ pound salmon steak
 1 tablespoon lime juice
 1 teaspoon dill weed

Brush salmon with lime and sprinkle with dill weed. Spray grill with cooking spray. Cook salmon 4 minutes. Turn and cook 4 minutes or until done. Makes 2 servings.

Mahi Mahi with Ginger and Dill

¼ cup lime juice
 ¼ teaspoon black pepper
 ¼ teaspoon fresh grated ginger root
 ¼ teaspoon dill weed
 ¾ pound mahi mahi (or monkfish)

Combine lime juice, pepper, ginger root, and dill weed. Marinate fish in this mixture for 2 hours. Place on grill and cook 5 minutes. Turn and cook 5 minutes more or until done. Makes 2 servings.

Customer Service

Call our toll-free customer service numbers. Please note the model, type, and series number on the grill, or have the grill close by when you call. This will help us answer your question.

TWO YEAR LIMITED WARRANTY

Hamilton Beach/Proctor-Silex, Inc. warrants this appliance to be free from defects in material and workmanship for a period of two (2) years from the date of original purchase, except as noted. There is no warranty with respect to the following, which may be supplied with this appliance: glass parts, glass containers, cutter/strainer, nonstick soleplate and/or nonstick cooking surfaces. This warranty extends only to the original consumer purchaser and does not cover damage from abuse, neglect, use for commercial purposes, or any other use not found in the printed directions. HAMILTON BEACH/PROCTOR-SILEX, INC. EXPRESSLY DISCLAIMS ALL RESPONSIBILITY FOR CONSEQUENTIAL DAMAGES OR INCIDENTAL LOSSES CAUSED BY USE OF THIS APPLIANCE. Some states or provinces do not allow this exclusion or limitation of incidental or consequential losses, so the foregoing disclaimer may not apply to you. If you have a claim under this warranty, DO NOT RETURN THE APPLIANCE TO THE STORE! Please call our CUSTOMER SERVICE NUMBER. (For faster service please have model, series, and type numbers ready for operator to assist you.)

CUSTOMER SERVICE NUMBERS

In the U.S. 1-800-851-8900

In Canada 1-800-267-2826

Web site address: www.hamiltonbeach.com

KEEP THIS NUMBER FOR FUTURE REFERENCE!

This warranty gives you specific legal rights, and you may also have other legal rights which vary from state to state, or province to province.

HAMILTON BEACH ◀ PROCTOR-SILEX, INC.

Washington, North Carolina 27889

PROCTOR-SILEX CANADA, INC.

Picton, Ontario K0K 2T0

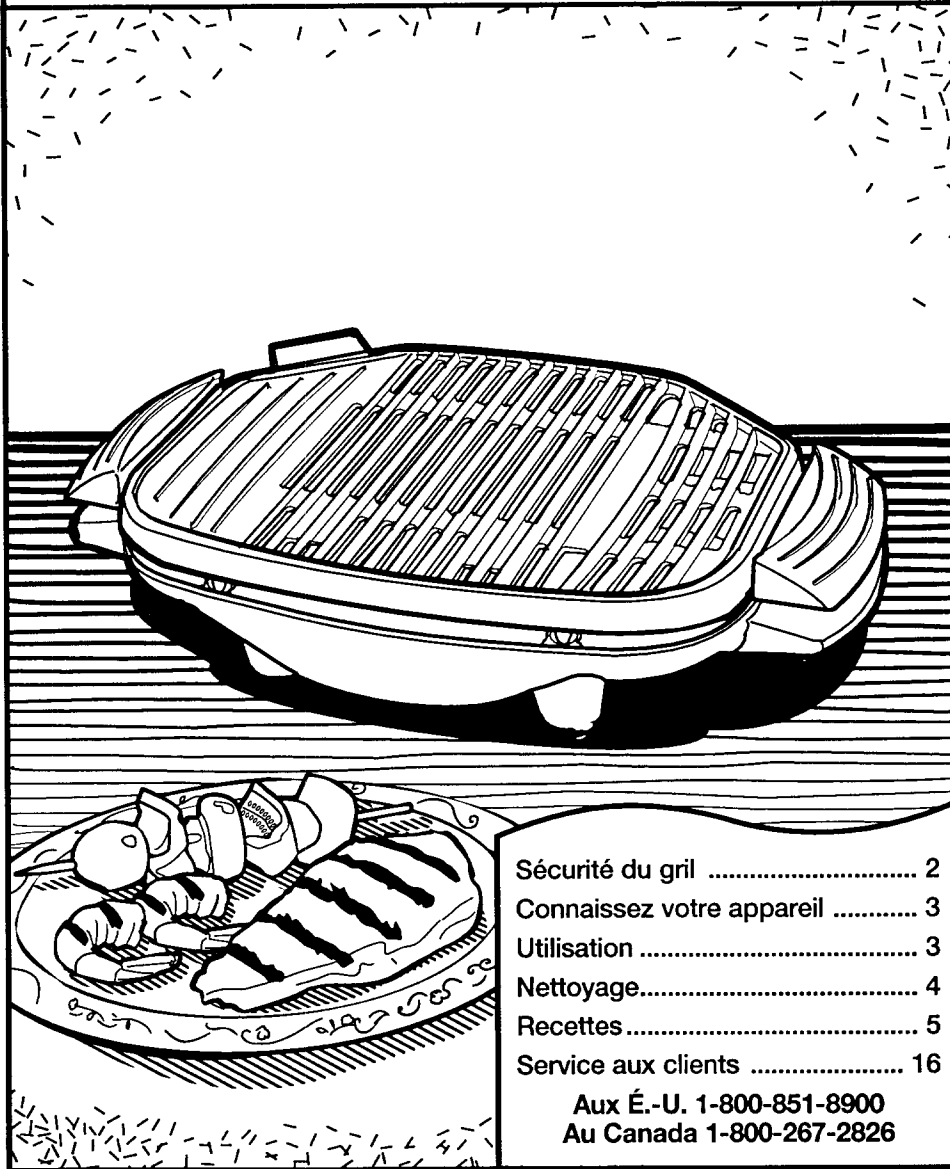
Web site address: www.hamiltonbeach.com

840055000

3/99

Hamilton Beach.

Gril HealthSmart™



Sécurité du gril	2
Connaissez votre appareil	3
Utilisation	3
Nettoyage.....	4
Recettes.....	5
Service aux clients	16

Aux É.-U. 1-800-851-8900
 Au Canada 1-800-267-2826

840055000

Sécurité du gril

IMPORTANTES INSTRUCTIONS

Lors de l'utilisation d'appareils électroménagers, des précautions de sécurité doivent toujours être observées y compris ce qui suit :

1. Lire toutes les instructions. Garder ces instructions pour usage ultérieur.
2. Ne pas toucher les surfaces chaudes. Utiliser les poignées ou les boutons.
3. Pour protéger contre le risque de choc électrique, ne pas immerger le montage du cordon ou la fiche dans l'eau ou autre liquide.
4. Une bonne surveillance est nécessaire pour tout appareil utilisé par des enfants ou près d'eux.
5. Débrancher l'appareil de la prise de courant électrique lorsqu'il n'est pas utilisé et avant le nettoyage. Le laisser refroidir avant d'y ajouter ou d'y enlever des pièces et avant le nettoyage de l'appareil et avant de déplacer l'appareil.
6. Toujours brancher la fiche sur l'appareil en premier, ensuite brancher le cordon dans la prise murale. Pour le débrancher, retirer la fiche de la prise murale then remove plug from appliance.
7. Ne pas laisser l'appareil sans surveillance lors de son utilisation.
8. Ne pas faire fonctionner l'appareil avec un cordon ou une fiche endommagés, ou lorsque l'appareil ne fonctionne pas bien ou a été endommagé d'une manière quelconque. Veuillez composer notre numéro d'assistance aux clients sans frais d'interurbain, pour des renseignements concernant l'examen, la réparation électrique ou mécanique ou le réglage.
9. Ne pas utiliser à l'extérieur.
10. Ne pas laisser le cordon pendre du bord d'une table ou d'un comptoir, ou toucher des surfaces chaudes, y compris la cuisinière.
11. Ne pas placer l'appareil sur ou près d'un brûleur chaud à gaz ou électrique, ou dans un four chauffé.
12. Toujours utiliser l'appareil sur une surface à niveau et sèche.
13. Ne pas utiliser l'appareil pour toute autre fin que son utilisation déterminée.
14. Utiliser une précaution extrême lors du déplacement d'un appareil contenant de l'huile chaude ou autre liquide chaud.
15. Toujours débrancher le gril et enlever ensuite le cordon avant de déplacer le gril.
16. L'utilisation d'accessoires non recommandés par Hamilton Beach/Proctor-Silex, Inc. peut causer des blessures.
17. Ne pas utiliser sans la base en place. Nettoyer après chaque emploi.
18. Un combustible, tel que des briquettes de charbon de bois, ne doit pas être utilisé avec l'appareil.
19. Utiliser uniquement sur une prise de courant bien reliée à la terre.
20. Lors du fonctionnement, un incendie peut survenir si la grille touche ou est proche d'un matériau inflammable, y compris rideaux, tentures, murs, écrans anti-éclaboussures, armoires et articles semblables.

CONSERVEZ CES INSTRUCTIONS

Renseignements généraux de sécurité aux consommateurs

Cet appareil est destiné à l'utilisation domestique seulement.

Cet appareil est équipé d'un cordon à 3 fils de genre relié à la terre (fiche à 3 broches). La fiche conviendra seulement dans une prise électrique qui peut recevoir une fiche à

3 broches. Il s'agit d'une caractéristique de sécurité. Si vous n'arrivez pas à brancher la fiche dans la prise, contacter un électricien pour remplacer la prise désuète. Ne pas essayer d'enlever la broche de sécurité de liaison à la terre, qui fait partie de la fiche à 3 broches.

Cet appareil comporte un cordon court pour réduire les risques de devenir emmêlé ou de faire trébucher. Un cordon de rallonge peut être employé si la tension électrique du cordon de rallonge est égale ou plus élevée que la tension du gril électrique. Utiliser seulement un cordon de rallonge évalué à 15 ampères ou plus. Il faut prendre soin d'arranger la rallonge de sorte qu'elle ne tombe pas du comptoir ou de la surface d'une table où elle peut être tirée par des enfants ou faire trébucher.

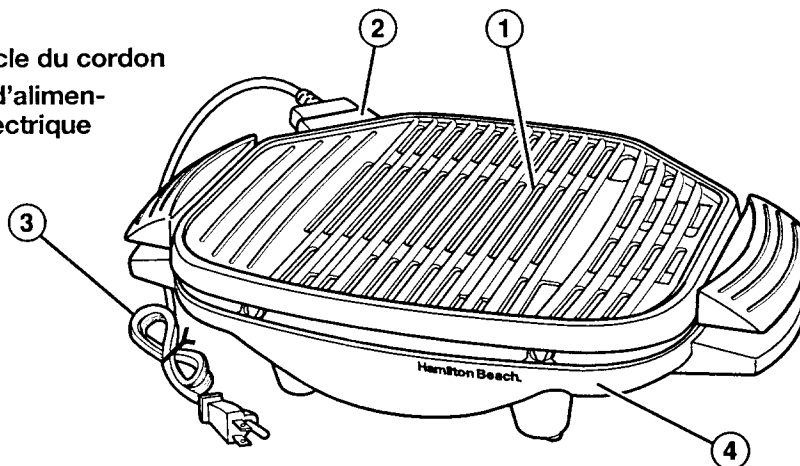
Ne pas laisser cet appareil sans surveillance lorsqu'il fonctionne.

AVERTISSEMENT : Pour réduire le risque d'incendie, ne pas laisser des articles inflammables tels que rideaux, tentures, murs, armoires, écrans anti-éclaboussures et matériaux semblables toucher toute partie du gril ou la surface de grillage lorsque le gril est en fonctionnement. Veuillez faire griller au moins à 6 pouces des murs, d'appareils ménagers ou de tout autre objet qui pourrait être endommagé par la chaleur.

Connaissez votre appareil

Pièces et caractéristiques

1. Grille
2. Réceptacle du cordon
3. Cordon d'alimentation électrique
4. Base



Avant le premier emploi, laver le gril et la base à l'eau savonneuse chaude. Rincer et sécher à fond.

Utilisation

1. Placer la base sur le comptoir. Faire correspondre les bords plats et angulaires du gril et de la base. Les pieds du gril se logent dans les trous de la base.
2. Brancher le cordon d'alimentation électrique dans le réceptacle sur l'appareil, ensuite brancher le cordon sur une prise de courant. Une lampe-témoin sur le cordon d'alimentation électrique s'allumera.
3. Préchauffer l'appareil pendant 10 minutes.
4. Lorsque la cuisson au gril est terminée, enlever la fiche de la prise murale, et ensuite du réceptacle du cordon.
5. Laisser complètement refroidir le gril. Jeter prudemment toute graisse. Nettoyer le gril et la base.

Nettoyage

1. Laisser refroidir le gril. Enlever prudemment toute graisse.
2. Laver le gril et la base dans l'eau chaude savonneuse. Utiliser un tampon à récurer en nylon ou en plastique et un nettoyant liquide non abrasif. Ne pas utiliser de tampons à récurer en métal.
3. Rincer et laisser sécher.
4. Le gril et la base peuvent aussi être lavés au lave-vaisselle après le refroidissement et l'enlèvement de toute graisse.
5. Le cordon d'alimentation électrique ne doit pas être submergé dans l'eau ni placé dans un lave-vaisselle. Pour le nettoyer, l'essuyer avec un linge humide.

REMARQUE : Ne pas laisser le gril allumé pour « brûler » tout aliment ou résidus demeurant à la surface du gril après la cuisson. En plus de causer une fumée inutile, cette action peut réduire la durée de l'enduit non adhésif et peut être un risque d'incendie.

Conseils pour la cuisson au gril

- Veuillez vous rappeler que votre gril est enduit d'une surface non adhésive et que des accessoires de plastique doivent toujours être utilisés.
- Si on fait griller des légumes, poissons ou viande maigre, vaporiser la surface de cuisson avec un vaporisant pour cuisson. Si on fait griller une viande avec section grasse, ou si l'aliment a été mariné, il n'est pas nécessaire de traiter le gril.
- Pour obtenir les meilleurs résultats, préchauffer le gril 10 minutes avant la cuisson.
- Des brochettes sont disponibles dans la plupart des supermarchés. Si on emploie des brochettes jetables en bois, tremper les brochettes dans l'eau environ 10 minutes avant d'y enfiler les aliments. Cette action empêche la brochette de brûler et donne une présentation plus attrayante.
- Si on emploie une marinade à base d'huile, placer le gril près d'une hotte de ventilation. L'huile ou la graisse produiront un peu de fumée.

Tableau de cuisson

Aliment	Temps approximatif (minutes)	Test de cuisson
Bacon	4 à 8	Résultat désiré
Steaks, boeuf ½ po d'épaisseur	8 à 15	Jusqu'au résultat désiré
Côtelettes de porc désossées	15 à 20	Jusqu'à disparition de couleur rosée
Morceaux de poulet avec os	25 à 30	Percer avec couteau; le jus coule librement

Aliment	Temps approximatif (minutes)	Test de cuisson
Hamburgers ½ po d'épaisseur	8 à 10	Pas de viande rose
Saucisses ou croquettes	12 à 15	Pas de viande rose
Hot dogs	8 à 10	Complètement chaud
Filets de poisson	10 minutes par pouce d'épaisseur	Opaque et formant des lamelles avec fourchette

Recettes



Indique le temps de préparation et le temps de cuisson au grill.

Directives pour la cuisson au grill

- **Temps de cuisson au grill : Les temps de cuisson des recettes sont des estimations.** Le temps de cuisson variera d'après la température du grill, l'air ambiant et l'aliment lui-même. Bien surveiller les aliments pendant la cuisson au grill et ajuster le temps de cuisson au besoin.
- **Conseils pour mariner :** Ne jamais faire mariner des aliments dans des contenants en métal pendant des périodes prolongées (2 heures et plus). Les acides dans les aliments peuvent réagir avec le métal, causant un goût désagréable. Utiliser plutôt des contenants en verre, céramique ou sac de plastique pour faire mariner.
- **Conseil de sécurité pour les viandes :** Pour réduire le risque de détérioration, garder la viande au réfrigérateur jusqu'au moment de la faire cuire. Ne jamais décongeler ou faire mariner de la viande à une température ambiante, surtout dans les climats chauds.
- **Ne jamais utiliser de restant de marinade comme sauce de finition sur les aliments cuits.** La marinade qui reste doit d'abord être bouillie pendant une à deux minutes pour tuer toutes les bactéries provenant des aliments crus qui ont été marinés.
- Bien que certains livres de recettes peuvent suggérer de porter vos aliments à la température ambiante avant la cuisson, à part quelques exceptions nous ne recommandons pas ce conseil pour les aliments cuits au grill. Si la température ambiante varie entre 80 et 90°F, les aliments peuvent se gâter rapidement.
- **Conseil pour le grillage sans adhésion :** Sans l'utilisation d'huile, certains aliments adhéreront légèrement aux surfaces non adhésives. Cette situation peut facilement être évitée. Avant d'allumer le grill, répandre avec un pinceau ou un vaporisateur une couche légère d'huile ou de vaporisant à cuisson non adhésif. (Ne jamais ajouter d'huile ou de vaporisant à une grille chauffée, ce qui peut être dangereux.)
- Toujours bien lire les renseignements de sécurité.

Les recettes suivantes proviennent de *Grilling for Dummies*® par Marie Rama et John Mariani. Droits réservés® 1998 IDG Books Worldwide, Inc. Tous droits réservés. Reproduit ici avec permission de l'éditeur. ...For Dummies est une marque de commerce déposée de IDG Books Worldwide, Inc.

Idées pour un burger de base et pour des « variétés »

Kebabs au bœuf de l'Ouest avec poivrons rouges et oignons
Steak grillé 101
Barbecue de bœuf texan
Poitrines de poulet assaisonnées
Ailes de poulet épicées de chili
Délices de pommes de terre grillées
Tomates grillées avec beurre au cumin
Brushetta aux tomates

Burger de base



Temps de préparation : 15 minutes

Cuisson au gril : 22 - 28 minutes

Donne : 4 portions

1½ livre de haut-côté haché
¼ c. à thé de sel, ou au goût

¼ c. à thé de poivre
4 pains à hamburger

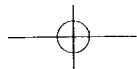
1. Combiner la viande hachée, le sel et le poivre dans un bol à mélanger de grandeur moyenne, en mélangeant légèrement mais à fond en utilisant vos mains. Former quatre pâtes, chacun de ¾ po d'épaisseur au centre et aux contours. (Une épaisseur égale assure une cuisson égale et empêche les bords de sécher avant que le centre soit cuit.)
2. Placer les pâtes sur le gril. Faire cuire pendant 11 à 14 minutes par côté, en les tournant une fois. (D'après le Service d'agriculture des États-Unis, toutes les viandes hachées doivent être cuites à la température la plus basse pour la cuisson moyenne, soit 160 degrés, ou jusqu'à ce que le centre du pâté ne soit plus de nuance rose.) Faire une petite incision au centre de chaque pâté pour déterminer s'il est bien cuit.
3. Faire griller les pains en les plaçant, le côté tranché vers le bas, sur les bords de la grille du gril pendant environ une minute ou jusqu'à légèrement brunis.
4. Enlever les burgers du gril et servir sur les pains grillés pour hamburger.

Variations :

Burger à l'italienne : Ajouter les ingrédients suivants au mélange de viande hachée : 1 jaune d'œuf, ¼ tasse d'oignons râpés, 1 grosse gousse d'ail écrasée, 2 c. à soupe de basilic frais haché ou 2 c. à thé de basilic sec écrasé, ½ c. à thé d'origan sec, et sel et poivre au goût. Placer le fromage parmesan râpé sur chaque burger (si désiré) environ 2 minutes avant que le burger soit cuit et faire griller jusqu'à ce que le fromage soit fondu.

Burger à la mexicaine : Ajouter les ingrédients suivants au mélange de viande hachée : ¼ tasse d'oignons finement hachés, ½ à 1 c. à thé de piment jalapeño épépiné et haché, ¾ c. à thé de cumin moulu, et sel et poivre au goût. Servir sur pain grillé ou dans des tortillas réchauffées avec une salsa préparée aux tomates ou une sauce taco, et des tranches d'avocat mûr.

Burger épicé à l'asiatique : Ajouter les ingrédients suivants au mélange de viande hachée : ¼ tasse de ciboulette finement hachée, 3 c. à soupe de sauce teriyaki, 1 grosse gousse d'ail, écrasée et sel et poivre au goût.

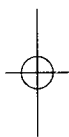


Kebabs de bœuf de l'Ouest avec poivrons rouges et oignons

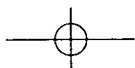
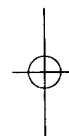


Temps de préparation : 25 minutes
 Temps pour mariner : 6 heures ou une nuit
 Cuisson au gril : 15 - 20 minutes
 Donne : 4 portions

1½ à 2 livres de surlonge, ou autre morceau de bœuf tendre tel que le contre-filet ou un steak de pointe de surlonge
 2 poivrons rouges moyens
 1 oignon moyen
 ½ tasse de jus de pomme, divisée
 6 c. à soupe de jus de limette (environ 3 grosses limettes)
 1½ c. à thé de zeste de limette
 6 c. à soupe d'huile végétale
 3 gousses d'ail, pelées et hachées grossièrement
 1 à 2 gros piments jalapeño, épépinés et hachés, ¾ c. à thé de cumin
 1½ c. à thé de poudre de chili
 ½ c. à thé de paprika
 Sel et poivre au goût
 2 c. à soupe de beurre



1. En travaillant sur une planchette à découper, découper tout le gras visible du bœuf, couper le morceau de viande en cubes d'environ 1½ po. Placer les cubes dans un grand sac en plastique refermable ou autre contenant non réactif.
2. Évider et épépiner les poivrons rouges et les trancher en lisières d'environ 1½ po de largeur; trancher chaque lisière en travers en morceaux de 1 à 2 po. Couper l'oignon en deux sur la longueur et enlever la pelure. Couper chaque demie en tiers, les briser en tranches. Placer les poivrons et les oignons dans le sac ou le contenant avec les cubes de bœuf.
3. Combiner 6 c. à soupe de jus de pomme avec le jus de limette, le zeste de limette, l'huile, l'ail, les piments jalapeño, le cumin, la poudre chili et le paprika, dans un contenant de mélangeur, faire tourner le mélange pendant quelques secondes pour former une purée grossière. Verser la marinade qui en résulte sur le bœuf et les légumes, fermer le sac ou recouvrir le contenant, et réfrigérer pendant au moins 6 heures ou une nuit, en tournant occasionnellement.
4. Enlever le bœuf de la marinade. Réserver toute marinade qui reste et la placer dans une petite marmite. Enfiler 3 à 4 cubes de bœuf, en alternant avec des morceaux de poivron et d'oignon, sur la brochette. (Tremper les brochettes de bois dans l'eau pendant au moins 30 minutes pour les empêcher de brûler.) Saupoudrer du sel et du poivre sur les kebabs.
5. Placer les brochettes sur le gril. Faire griller les kebabs pendant environ 15 à 20 minutes pour cuisson à point, les tourner toutes les 5 à 6 minutes.
6. Alors que les kebabs cuisent au gril, porter la marinade dans la marmite au point d'ébullition à feu vif sur le dessus de la cuisinière, réduire la chaleur et faire mijoter pendant 1 minute. Incorporer 2 c. à soupe de beurre et 2 c. à soupe du jus de pomme qui reste. Servir la sauce à la cuillère sur les kebabs grillés juste avant de les servir.



Steak grillé 101



Temps de préparation : 5 minutes
 Temps de grillage : 35 - 45 minutes
 Donne : 4 portions

2 c. à soupe d'huile d'olive
 2 steaks de bœuf de surlonge désossés, coupés en épaisseur de 1 po
 (environ 2 livres en tout)
 1 gousse d'ail, écrasée
 Sel et poivre au goût

1. Dans un petit bol, combiner l'huile d'olive et l'ail. Badigeonner généreusement avec l'huile assaisonnée, sur les deux côtés des steaks. Saler et poivrer légèrement les steaks.
2. Placer les steaks sur le gril. Faire griller pendant 35 à 45 minutes pour une cuisson à point, en les tournant toutes les 15 minutes.
3. Retirer les steaks du gril, couvrir légèrement de papier d'aluminium et laisser les steaks reposer pendant quelques minutes avant de les trancher finement à travers le fil. Assaisonner de sel et de poivre additionnels (si désiré) avant de servir.

Barbecue de bœuf texan



Temps de préparation : 10 minutes
 Temps pour mariner : 3 heures ou une nuit
 Cuisson au gril : 35 - 45 minutes pour consistance à point-saignant
 Donne : 4 portions

1 tasse de sauce chili en bouteille
 1 c. à thé de cumin moulu
 ½ tasse de bière
 ½ c. à thé de flocons de piment de cayenne séché
 ⅓ tasse d'huile végétale
 ½ tasse d'oignon vert finement haché (parties blanche et verte)
 1 steak dans la ronde de bœuf désossé, coupé en épaisseur de 1 po
 (environ 1½ à 2 livres)
 3 c. à soupe de poudre chili
 sel au goût (facultatif)

1. Dans un bol moyen, préparer la marinade en combinant tous les ingrédients excepté le steak.
2. Placer le steak dans un plat à cuisson en verre ou un grand sac en plastique refermable. Verser la marinade sur le steak en le tournant pour le recouvrir. Couvrir le plat à cuisson ou sceller le sac, en appuyant pour chasser l'air autant que possible. Réfrigérer 3 heures ou une nuit.
3. Enlever le steak de la marinade, en secouant tout excès. Jeter la marinade, si désiré, saupoudrer le steak de sel. Placer le steak sur le gril et faire griller pendant 35 à 45 minutes pour une cuisson à point, en tournant toutes les 15 minutes.

4. Transférer le steak à une planchette à découper et laisser reposer pendant 5 minutes, en le recouvrant légèrement de papier d'aluminium. Trancher finement à travers le grain.

Poitrines de poulet assaisonnées



Temps de préparation : 15 minutes
 Temps pour mariner : 6 heures ou une nuit
 Cuisson au gril : 30 - 35 minutes
 Donne : 4 à 6 portions

8 demi-poitrines de poulet désossées et sans peau (environ 2 ou 3 livres)
 ¼ tasse d'huile végétale
 ¼ tasse de jus d'orange
 3 échalotes finement hachées (parties verte et blanche)
 4 gousses d'ail moyennes, pelées et finement hachées
 2 c. à soupe de jus de limette
 2 c. à soupe de sauce soja
 1 petit piment jalapeño, épépiné et finement haché
 1 c. à thé de cassonade, tassée
 ½ c. à thé de sel kascher, ou au goût
 ½ c. à thé de piment de la Jamaïque moulu
 ½ c. à thé de feuille de thym séchée
 ½ c. à thé de cannelle
 ¼ c. à thé de cayenne
 ¼ c. à thé de muscade

1. Découper toute section grasse sur les poitrines (Parer les poitrines), les rincer sous l'eau froide du robinet et tamponner avec des essuie-tout.
2. Dans un bol moyen, combiner les autres ingrédients, en battant avec une fourchette ou un fouet pour incorporer les épices dans l'huile et le jus d'orange.
3. Placer les poitrines dans un grand sac en plastique refermable ou un plat peu profond, et verser la marinade sur les poitrines. Sceller le sac, en appuyant pour faire sortir l'air, ou couvrir le plat, réfrigérer pendant 6 heures ou une nuit, en tournant occasionnellement pour enduire les poitrines de marinade.
4. Enlever les poitrines de poulet de la marinade, jeter la marinade. Placer les poitrines de poulet sur le gril. Faire griller pendant 30 à 35 minutes ou jusqu'à cuisson achevée, en tournant toutes les 10 minutes. Pour vérifier si la cuisson est terminée, couper les poitrines, et la viande devrait être blanche et onctueuse, sans signe de nuance rose.

Ailes de poulet épicées de chili



Temps de préparation : 20 minutes

Temps pour mariner : 2 à 4 heures

Cuisson au gril : 25 - 30 minutes

Donne : 4 portions principales ou 8 à 10 portions d'amuse-gueule

3 à 3½ livres d'ailes de poulet (environ 15 à 18 ailes)

3 c. à soupe d'huile d'olive

3 c. à soupe de jus de limette frais

4 grosses gousses d'ail, pelées et hachées

2 c. à thé de cumin moulu

2 c. à thé de coriandre moulu

2 c. à thé de paprika

1 c. à thé de gingembre épluché et râpé

1 c. à thé de sel ou au goût

½ c. à thé de poudre de chili forte ou de cayenne

½ c. à thé de cannelle

1. Rincer les ailes de poulet sous l'eau froide du robinet et tamponner avec des essuie-tout en papier. Couper le bout des ailes aux jointures et jeter les pointes. (Ou envelopper et faire congeler les pointes pour les utiliser plus tard pour ajouter de la saveur aux soupes faites maison ou en boîte et aux bouillons.)
2. Combiner tous les ingrédients qui restent dans un grand sac en plastique refermable ou un bol à mélanger, en les mélangeant bien.
3. Ajouter les ailes de poulet, bien les secouer pour les enduire du mélange huile-épices. Fermer hermétiquement le sac, en appuyant pour faire sortir tout l'air, ou recouvrir le bol et réfrigérer pendant 2 à 4 heures.
4. Placer les ailes sur le gril, faire griller pendant 25 à 30 minutes ou jusqu'à cuisson achevée, en les tournant avec des pinces toutes les 10 minutes pour empêcher de brûler et assurer une cuisson égale. Pour vérifier si les ailes sont cuites, couper dans la partie la plus épaisse de l'aile, et la viande devrait être blanche sans trace de nuance rose et les jus devraient couler clairement.

Délices de pommes de terre grillées



Temps de préparation : 15 minutes

Temps pour mariner : 30 minutes à 1 heure

Cuisson au gril : 15 minutes

Donne : 4 portions

4 pommes de terre moyennes (environ 1½ livre en tout) bien nettoyées

6 c. à soupe d'huile d'olive extra-vierge

1½ c. à soupe de vinaigre de vin blanc

2 gousses d'ail, pelées et finement hachées

1 c. à thé de marjolaine séchée, origan ou d'aneth

½ c. à thé de sauce Tabasco, ou au goût

½ c. à thé de sel kascher, ou de sel de table au goût

Poivre au goût



1. Couper les pommes de terre sur la longueur en tranches de 1/8 po d'épaisseur. Placer les tranches dans une casserole moyenne avec assez d'eau légèrement salée pour couvrir. Couvrir la casserole et porter au point d'ébullition. Faire bouillir pendant 5 minutes ou jusqu'à consistance presque tendre lorsque percées avec la lame d'un couteau mince aiguisé, et égoutter à fond. Placer les pommes de terre dans un grand plat peu profond à cuisson.
2. Préparer la marinade en combinant les ingrédients qui restent; verser la marinade sur les tranches de pommes de terre tièdes, en tournant pour recouvrir. Couvrir et laisser reposer pendant 30 minutes à 1 heure.
3. Avant la cuisson au gril, brosser les deux côtés des pommes de terre avec la marinade, en s'assurant d'inclure les petites miettes d'ail et d'herbes. Placer les pommes de terre sur le gril et les faire cuire jusqu'à ce qu'elles soient légèrement brunies, environ 6 à 8 minutes. Les tourner et les faire griller jusqu'à ce qu'elles soient de couleur légèrement dorée, et croustillantes sur le deuxième côté, 6 à 8 minutes de plus. Si désiré, assaisonner avant de servir le sel et le poivre additionnels, et la sauce Tabasco.

Tomates grillées avec beurre au cumin



Temps de préparation : 10 minutes

Cuisson au gril : 5 - 6 minutes

Donne : 4 portions

2 1/2 c. à soupe de beurre

1 c. à thé de cumin moulu

Sel et poivre au goût

2 grosses tomates mûries et fermes, tranchées environ 3/4 po d'épaisseur

1. Fondre le beurre dans une petite casserole; enlever du feu et incorporer le cumin, le sel et le poivre.
2. Badigeonner les tranches de tomates sur un côté avec la moitié du beurre au cumin. Les placer côté badigeonné vers le bas, sur la grille et les cuire pendant 2 à 3 minutes ou jusqu'à légèrement brunies sur un côté.
3. Badigeonner avec un pinceau le dessus des tomates avec le reste du beurre au cumin. Tourner et faire griller pendant 2 à 3 minutes de plus ou jusqu'à très légèrement brunies, mais sans que la tomate se sépare.

Bruschetta aux tomates



Temps de préparation : 15 minutes

Cuisson au gril : 4 minutes

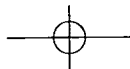
Donne : 6 à 8 portions d'apéritif

2 grosses tomates rouges mûries (environ 1 1/4 livre), évidées, épépinées et coupées en dés

1/2 tasse de basilic frais haché grossièrement

2 c. à soupe d'oignon rouge pelé et coupé en dés (facultatif)

Environ 1/4 tasse d'huile d'olive extra-vierge, divisée



- 1 gousse d'ail, pelée et hachée
- 1 c. à thé de vinaigre balsamique ou de vinaigre de vin rouge
- Sel et poivre
- 12 tranches de baguette croustillante, coupées en diagonale, environ $\frac{3}{4}$ po d'épaisseur
- 3 gousses d'ail, pelées et coupées en deux

1. Dans un petit bol, combiner les tomates, le basilic, l'oignon rouge (si désiré), 2 c. à soupe d'huile d'olive, l'ail haché, vinaigre, sel et poivre. Recouvrir et laisser reposer à la température ambiante pendant au moins 30 minutes, mais pas plus de 2 heures.
2. Placer les tranches de pain sur le gril. Faire cuire pendant 4 à 5 minutes ou jusqu'à ce que le pain soit légèrement grillé et doré sur les deux côtés, en le tournant une fois.
3. Enlever et frotter immédiatement les rebords et un côté de chaque tranche avec une demi-gousse d'ail. (Utiliser une demi-gousse d'ail pour 2 tranches.) Répandre légèrement environ $\frac{1}{2}$ c. à thé d'huile d'olive sur le côté frotté avec l'ail de chaque tranche.
4. Ajouter le mélange aux tomates avec une grande cuillère pour humecter à fond, recouvrir chaque tranche de pain avec environ $1\frac{1}{2}$ c. à soupe de mélange de tomates. Placer sur un plateau et servir immédiatement.

Épées de porc aux prunes de fantaisie

Recette gracieuseté du Conseil national des producteurs de porc



Temps de préparation : 10 minutes
 Temps pour mariner : 1 heure
 Temps de cuisson : 10 minutes

- 4 brochettes de bambou (tremper dans l'eau avant l'usage)
- $\frac{3}{4}$ livre de jambon, complètement cuit et coupé en cubes de 1 po
- $\frac{1}{4}$ tasse de prunes en conserve
- 1 c. à soupe de moutarde de Dijon
- 1 c. à thé de jus de citron, frais
- $\frac{1}{4}$ c. à thé de cannelle

Renseignements nutritifs par portion	
Information nutritive par portion de 1 :	
Nutrition	Par portion
Calories	183
Gras	5g
Cholestérol	44mg
Sodium	1340mg
Protéines	19g

Placer le jambon dans un bol peu profond. Combiner les ingrédients qui restent dans une petite casserole. Chauffer jusqu'à dissolution. Verser la sauce sur le jambon. Faire mariner pendant 1 heure. Placer les cubes sur les bâtonnets de bambou qui ont été trempés dans l'eau. Faire griller pendant 10 minutes. Tourner les brochettes fréquemment. Arroser avec la sauce.

Donne : 4 portions

Kebabs de porc des caraïbes

Recette gracieuseté du Conseil national des producteurs de porc



Temps de préparation : 10 minutes
 Temps de cuisson : 18 - 20 minutes
 Portions : 4

1 livre de filet de porc, coupé en cubes de 1 po
 ½ tasse de jus d'orange
 ¼ tasse de jus de limette
 2 c. à soupe de cassonade
 ½ c. à thé de thym
 ¼ c. à thé de muscade moulue
 ¼ c. à thé de clous de girofle moulus
 ⅛ c. à thé de cayenne moulue

Renseignements nutritifs par portion	
Information nutritive par portion de 3 onces :	
Nutrition	Par portion
Calories	146
Gras	4g
Cholestérol	67mg
Sodium	60mg
Protéines	23g

Combiner tous les ingrédients dans un sac de plastique refermable, fermer le sac et réfrigérer pendant 2 à 24 heures. Enlever les cubes de la marinade et jeter le reste de la marinade. Enfiler les cubes également sur quatre brochettes (si on utilise des brochettes en bois, les tremper dans l'eau pendant une heure avant de les utiliser pour les empêcher de brûler). Faire cuire au grill pendant 18 à 20 minutes, en les tournant fréquemment, jusqu'à brunissement convenable. Servir avec riz chaud et brochettes de morceaux de fruits et de poivron grillés, si désiré.

Côtelettes de porc barbecue Heartland

Recette gracieuseté du Conseil national des producteurs de porc



Temps de préparation : 5 minutes
 Temps de cuisson : 30 minutes
 Donne : 4 portions

4 côtelettes de porc, avec os ou sans os, d'environ
 1¼ po d'épaisseur
 ½ tasse de sauce barbecue en bouteille
 ⅓ tasse de miel
 1 c. à soupe de sauce Worcestershire
 1 c. à thé de moutarde préparée
 Soupçon de sauce au poivre piquante

Renseignements nutritifs par portion :	
Information nutritive par portion de 1 :	
Nutrition	Par portion
Calories	371
Gras	11g
Cholestérol	104mg
Sodium	382mg
Protéines	39g

Pour la sauce, mélanger tous les ingrédients excepté les côtelettes de porc ensemble dans un petit bol. Placer les côtelettes de porc sur le grill. Faire griller les côtelettes pendant environ 10 minutes, jusqu'à nuance brune sur un côté, tourner et badigeonner généreusement avec la sauce. Faire griller pendant 10 minutes de plus, en tournant et en badigeonnant avec plus de sauce. Faire griller pendant 5 à 10 minutes de plus, en tournant et en badigeonnant avec la sauce. Jeter toute sauce qui reste. Servir les côtelettes immédiatement.

Filet de porc grillé à la mode sud-ouest

Recette gracieuseté du Conseil national des producteurs de porc



Temps pour mariner : 2 à 24 heures
 Temps de préparation : 10 minutes
 Temps de cuisson : 45 minutes
 Donne : 6 portions

Renseignements nutritifs par portion :	
Information nutritive par portion de 3 onces :	
Nutrition	Par portion
Calories	154
Gras	6g
Cholestérol	66mg
Sodium	141mg
Protéines	26g

2 filets de porc entiers (environ 1½ livre en tout)
 5 c. à thé de poudre chili
 1½ c. à thé d'origan
 ¾ c. à thé de cumin écrasé (moulu)
 2 gousses d'ail écrasées
 1 c. à soupe d'huile végétale

Dans un petit bol, mélanger bien tous les assaisonnements et l'huile végétale. Frotter le mélange sur toutes les surfaces des filets de porc. Recouvrir et réfrigérer pendant 2 à 24 heures. Faire griller en tournant de temps à autre, pendant 45 minutes, jusqu'à ce que la lecture du thermomètre inséré indique 155-160°F. Le porc est prêt lorsqu'il existe encore une petite nuance de rose au centre. Trancher pour servir.

Crevettes grillées aux épices

½ tasse de sauce de soja
 1 c. à soupe d'huile d'olive
 1 c. à soupe d'huile de sésame
 5 c. à soupe de mélange d'assaisonnements cajun
 2 c. à soupe de jus de citron frais
 2 c. à soupe de jus de gingembre frais écrasé
 2 c. à thé de moutarde en poudre
 2 c. à thé de sauce aux piments
 32 grosses crevettes crues, décortiquées et déveinées mais avec queue

Combiner tous les ingrédients excepté les crevettes. Bien mélanger et ensuite ajouter les crevettes. Faire mariner pendant 1 à 4 heures. Vider la marinade et la jeter. Placer les crevettes sur le gril et faire cuire 2 minutes. Tourner et faire cuire 2 minutes de plus ou jusqu'à cuisson complète.

Palourdes au soja et sésame

- 1 c. à soupe d'huile de sésame
- 2 c. à soupe de vin blanc
- ¼ tasse de sauce tamari ou sauce de soja
- 1 c. à thé d'ail écrasé
- ⅛ c. à thé de gingembre moulu
- 1 pincée de sel à l'ail
- 1 pincée de poivre
- 1 livre de palourdes

Combiner tous les ingrédients et laisser mariner au réfrigérateur pendant 30 minutes à 1 heure. Enfiler sur les brochettes. Placer sur le gril et faire cuire pendant 5 minutes ou jusqu'à cuisson complète. Tourner à la mi-temps de cuisson. Donne 4 portions.

Truite de mer grillée croustillante

- ¼ tasse de panure
- 1 c. à soupe de persil desséché
- 1 c. à thé de sel d'ail
- 1 c. à thé d'estragon
- 1 blanc d'oeuf
- ¾ livre de truite de mer

Combiner la panure, le persil, le sel d'ail et l'estragon. Laisser de côté. Battre le blanc d'oeuf avec une fourchette ou un batteur jusqu'à consistance mousseuse. Tremper le poisson dans le blanc d'oeuf ensuite recouvrir du mélange de panure. Placer sur le gril et faire cuire pendant 5 minutes. Tourner et faire cuire 5 minutes de plus jusqu'à cuisson complète. Donne 2 portions.

Saumon à l'aneth

- ½ livre de steak de saumon
- 1 c. à soupe de jus de limette
- 1 c. à thé d'aneth

Badigeonner le saumon avec la limette et saupoudrer d'aneth. Vaporiser le gril avec un vaporisant à cuisson. Faire cuire 4 minutes. Tourner et faire cuire encore 4 minutes ou jusqu'à cuisson complète. Donne 2 portions.

Mahi Mahi au gingembre et à l'aneth

- ¼ tasse de jus de limette
- ¼ c. à thé de poivre noir
- ¼ c. à thé de racine de gingembre frais, râpé
- ¼ c. à thé d'aneth
- ¾ livre de mahi mahi (ou ange de mer)

Combiner le jus de limette, le poivre, la racine de gingembre et l'aneth. Laisser mariner le poisson dans ce mélange pendant 2 heures. Placer sur le gril et faire cuire 5 minutes. Tourner et faire cuire 5 minutes de plus ou jusqu'à cuisson complète. Donne 2 portions.

Service aux clients

Composez nos numéros d'assistance aux clients sans frais d'interurbain. Veuillez noter le modèle et le numéro de série ou ayez le gril près de vous lorsque vous faites un appel. Cette action nous aidera à répondre à vos questions.

GARANTIE LIMITÉE DE DEUX ANS

Hamilton Beach/Proctor-Silex, Inc. garantit que cet appareil est exempt de vices de matériau et de main-d'oeuvre pendant une période de deux (2) ans à compter de la date de l'achat original, excepté ce qui est noté. Il n'y a pas de garantie en rapport de ce qui suit, qui peut être fournie avec cet appareil : pièces en verre, contenants en verre, couteau/tamis, semelle non-adhésive, et/ou surface de cuisson non adhésive. Cette garantie s'étend seulement à l'acheteur consommateur original et ne couvre pas les dommages provenant des abus, négligence, usage pour fins commerciales, ou tout autre usage non indiqué dans les instructions imprimées. HAMILTON BEACH/PROCTOR-SILEX, INC. DÉCLINE TOUTE RESPONSABILITÉ POUR LES DOMMAGES INDIRECTS OU PERTES ACCIDENTELLES CAUSÉS PAR L'UTILISATION DE CET APPAREIL. Certains États, ou provinces ne permettent pas cette exclusion ou limitation des pertes accidentelles ou fortuites, de sorte que le refus de responsabilité précédent peut ne pas vous être applicable. Si vous avez une réclamation en vertu de cette garantie, NE PAS RETOURNER L'APPAREIL AU MAGASIN! Veuillez composer notre NUMÉRO D'AIDE AUX CLIENTS. (Pour un service plus rapide, ayez sous la main les numéros du modèle et de la série et du type pour que l'opérateur puisse vous aider).

NUMÉROS D'ASSISTANCE AUX CLIENTS

Aux É.-U. 1-800-851-8900

Au Canada 1-800-267-2826

Adresse du site Web : www.hamiltonbeach.com

CONSERVER CES NUMÉROS POUR RÉFÉRENCE ULTÉRIEURE.

Cette garantie vous confère des droits juridiques spécifiques; vous pouvez également jouir d'autres droits, variables d'un État à un autre ou d'une province à une autre.

HAMILTON BEACH ♦ PROCTOR-SILEX, INC.

Washington, North Carolina 27889

PROCTOR-SILEX CANADA, INC.

Picton, Ontario K0K 2T0

840055000

Adresse du site Web: www.hamiltonbeach.com

3/99